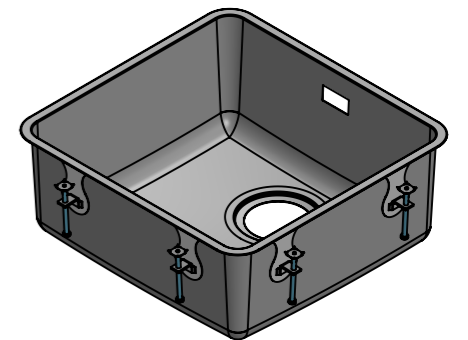
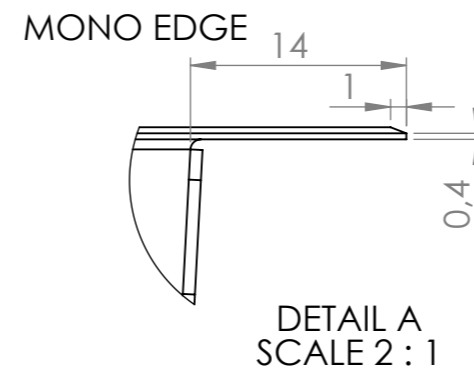
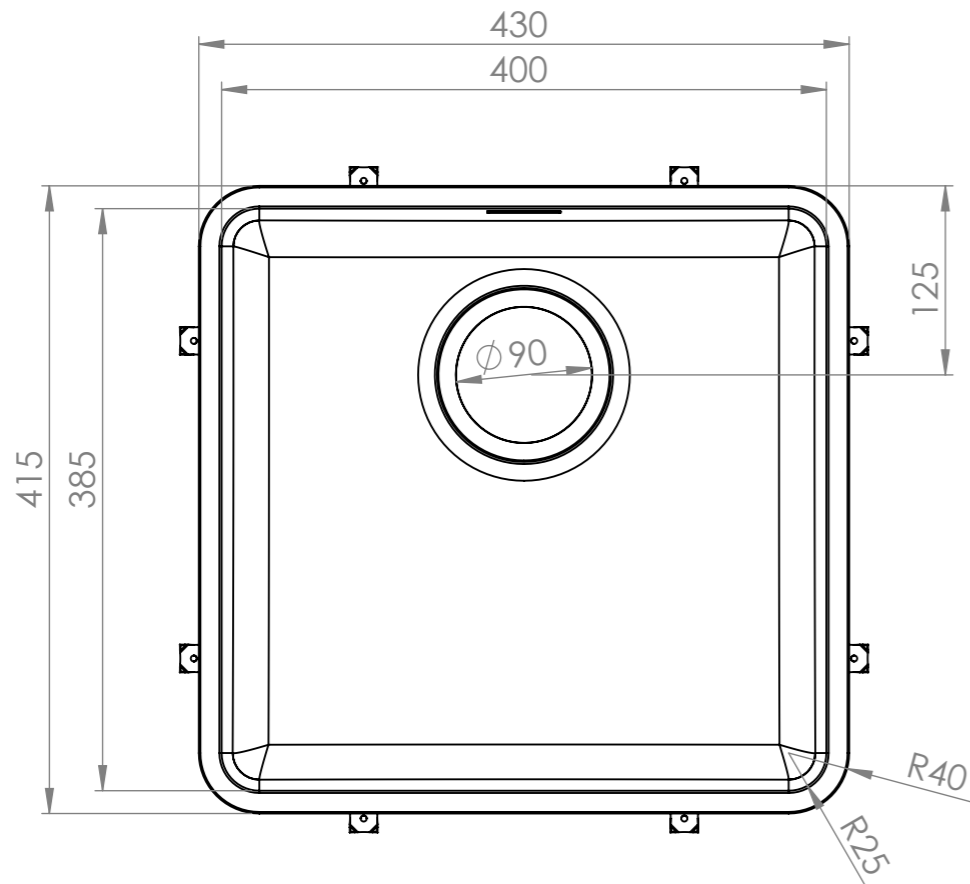
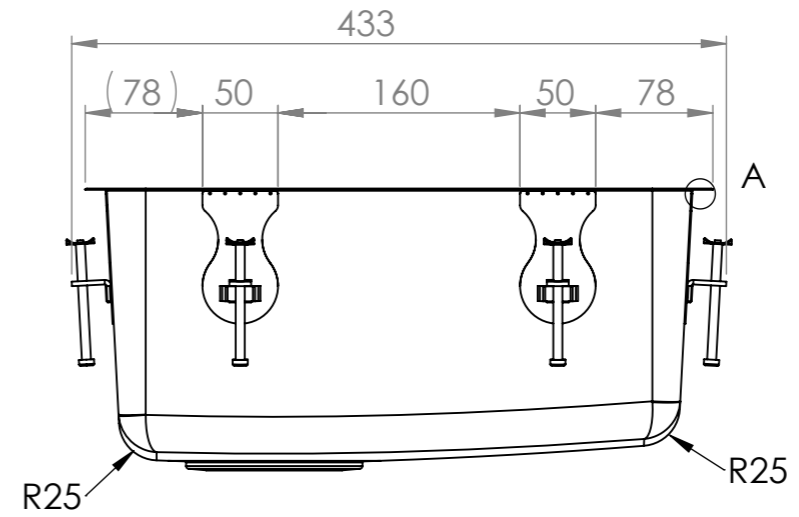
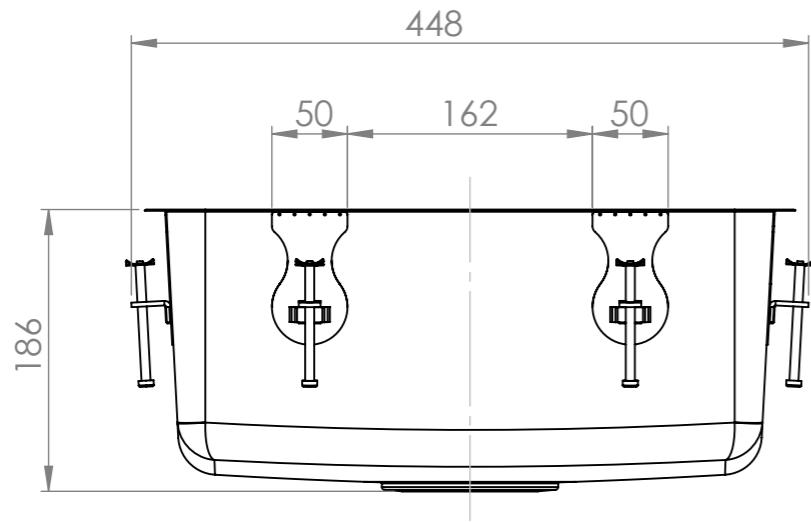


MAIN DIMENSIONS



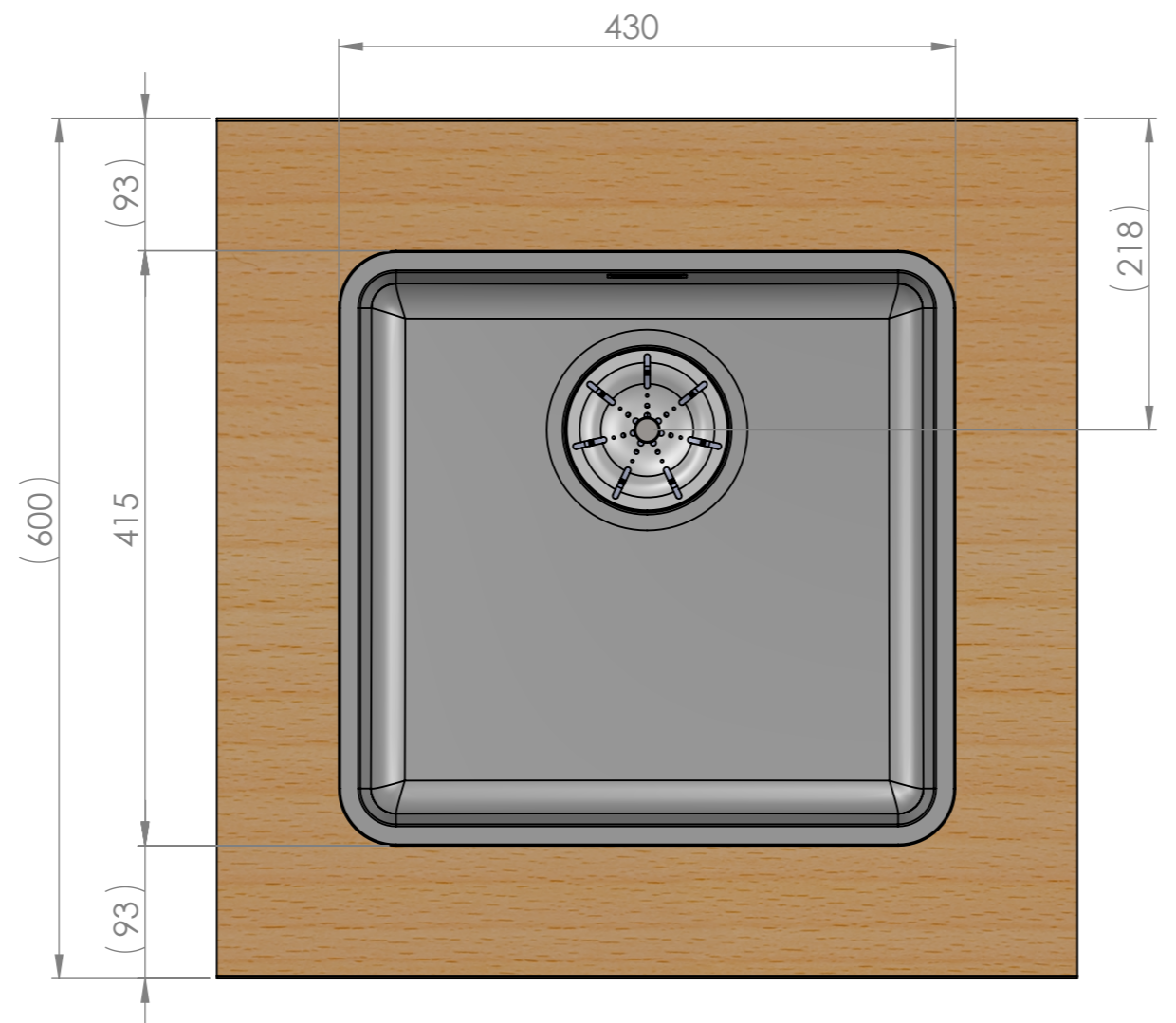
Change description	Date	Designed by
--------------------	------	-------------

	Mass	kg	General tolerance	Designed by	Date
	Size	Scale		Item	VS
	A3	1:5	Description	Approved by	Date
	STALA			VS	18.04.2024
	Member of ALVEUS			ONE-40 Technical Data Sheet	Drawing number
				19662	1/6
					Rev
					A

1 2 3 4 5 6 7 8

Change description	Date	Designed by
--------------------	------	-------------

WORKTOP ASSEMBLY



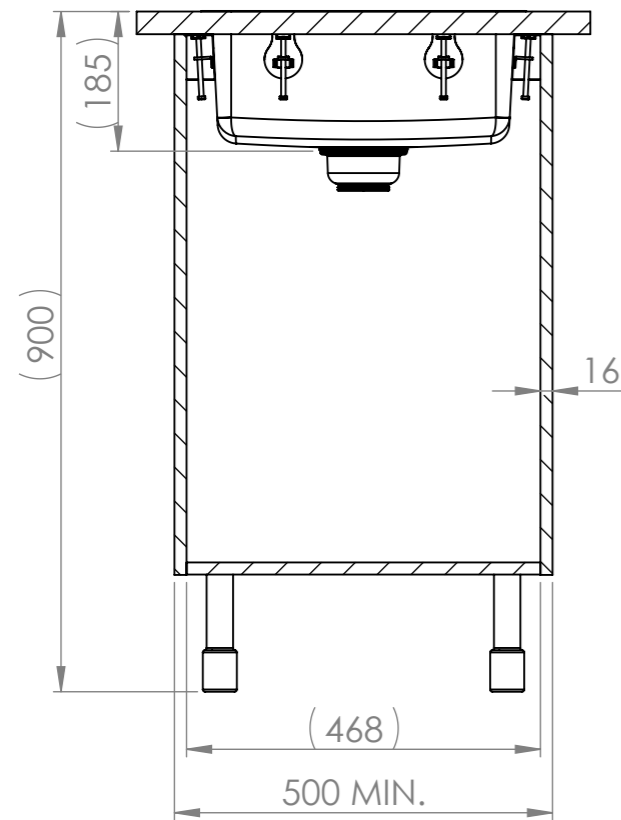
A
B
C
D
E
F

A
B
C
D
E
F

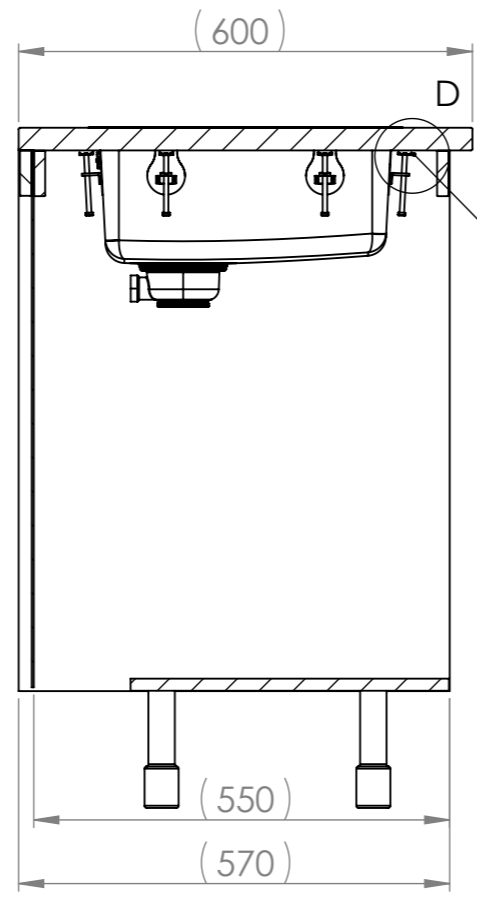
	Mass	kg	General tolerance	Designed by	Date
	Size	Scale	Item	VS	25.03.2024
 STALA Member of ALVEUS	A3	1:5	Description	Approved by	Date
			ONE-40	VS	18.04.2024
			Technical Data Sheet	Drawing number	Sheet/sheets
			19662	2/6	Rev
				A	

1 2 3 4 5 6 7 8

SPACE REQUIREMENTS

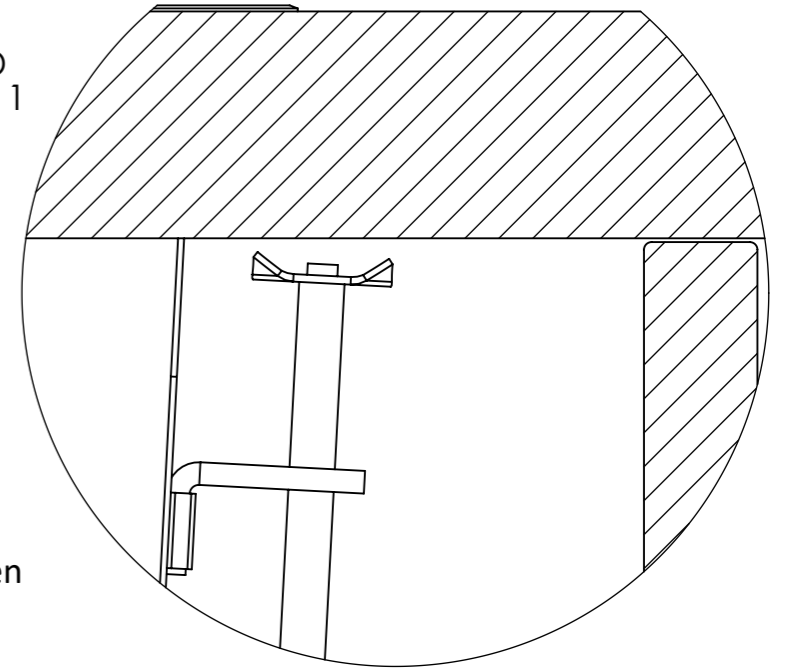


SECTION B-B

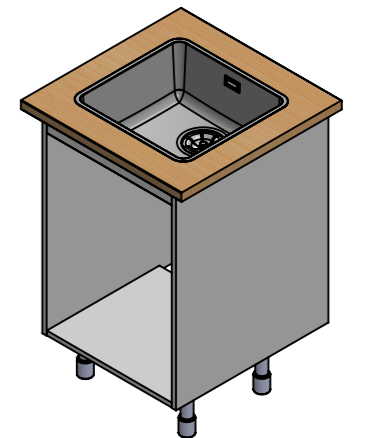
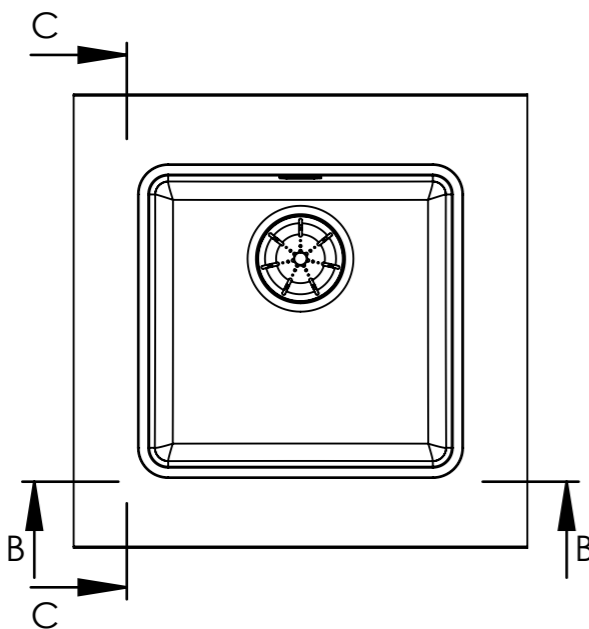


SECTION C-C

DETAIL D
SCALE 1 : 1

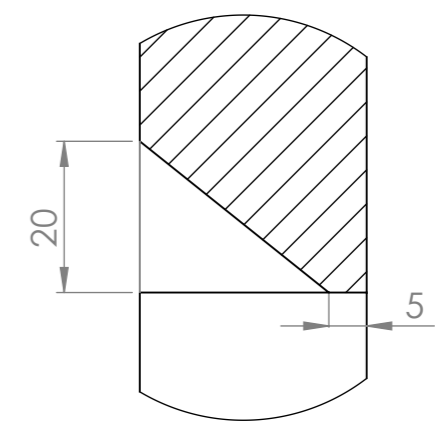
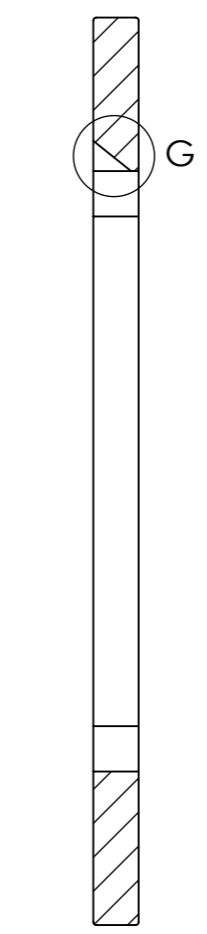
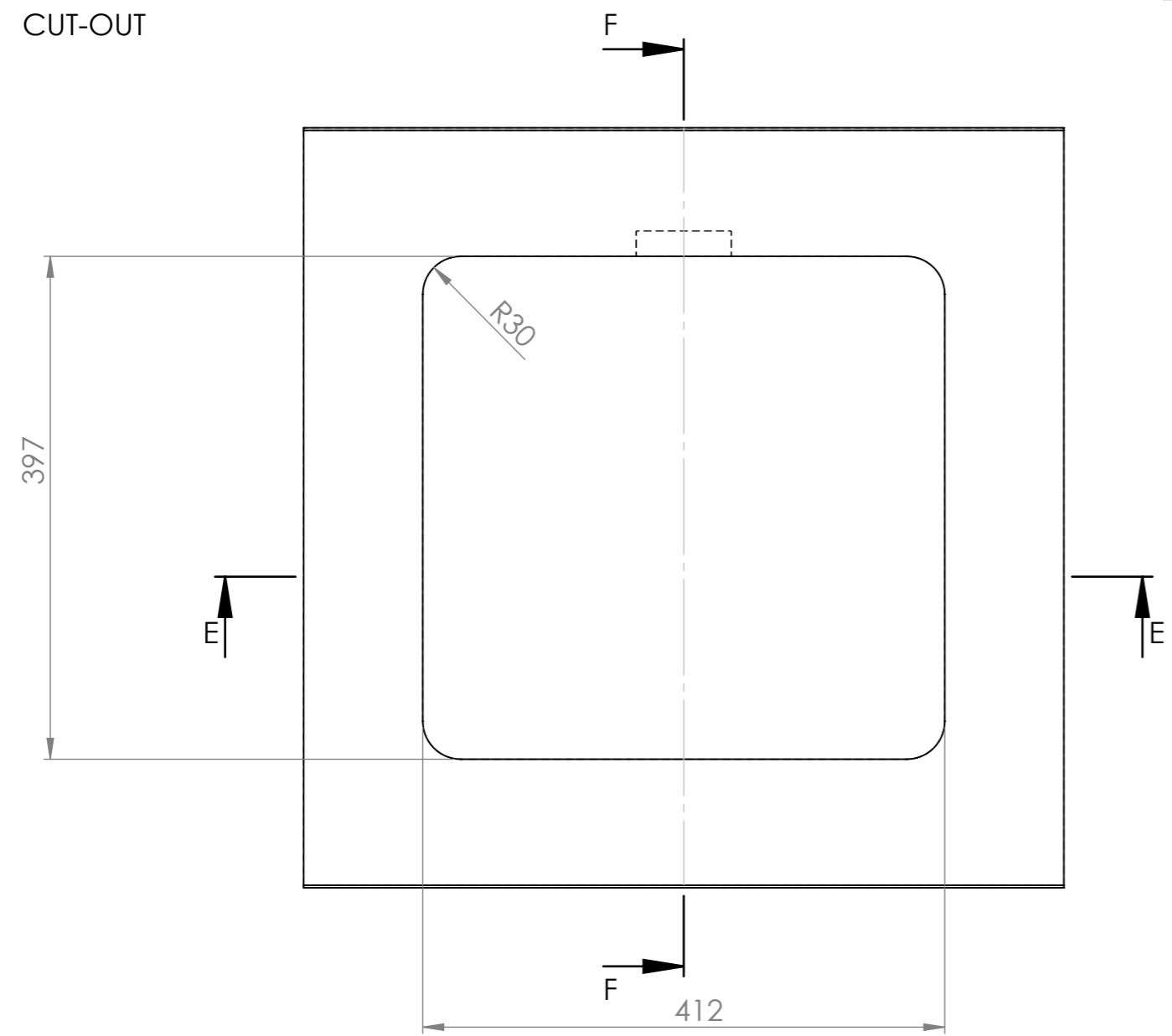


Huom!
Tarvittaessa kaapin väliseinää ja etu/takalistaa lovetettava kiinnikkeitä varten ja pesuallas on kiinnitettävä ennen työtason asennusta.
Obs!
Vid behov måste en inskärning för hofästena göras i skåpets mellanvägg och förbindningslist och diskbänken måste fästas innan du monterar bänkskivan.
Notice!
The partition walls and front/back list of the cupboard must be notched for the sink mountings when needed and the sink must be fastened before installing the worktop.

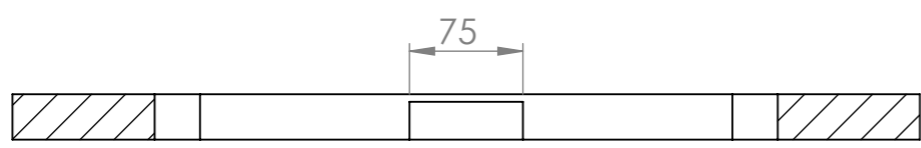


	Mass	kg	General tolerance	Designed by	Date
	Size	Scale	Item	VS	25.03.2024
	A3	1:10	Description	Approved by	Date
	ONE-40	Technical Data Sheet	VS	18.04.2024	
	Drawing number 19662		Sheet/sheets	3/6	
			Rev	A	

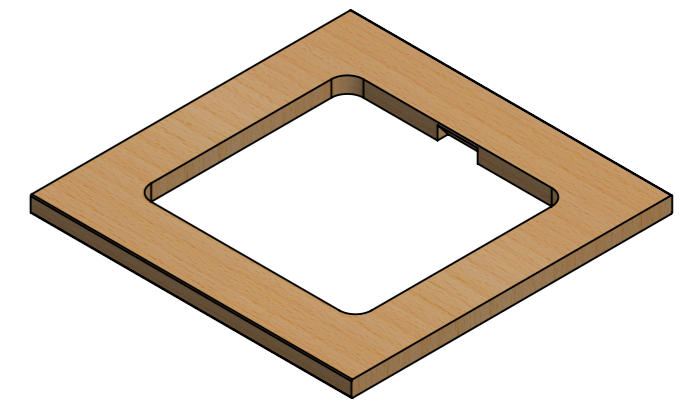
Change description	Date	Designed by
--------------------	------	-------------



DETAIL G
SCALE 1 : 1



SECTION E-E



	Mass	kg	General tolerance	Designed by	Date
	Size	Scale	Item	VS	25.03.2024
	A3	1:5		Approved by	Date
				VS	18.04.2024
 Member of ALVEUS			Description	Drawing number	Sheet/sheets
			ONE-40	19662	4/6
				Rev	A

